

# TEE Probe Disinfection and Storage System

---

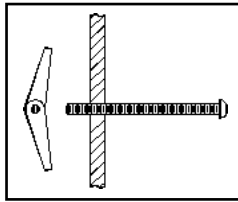
REFERENCE GUIDE



# Wall Support, Storage Container and Disinfection Container .....

## INSTALLING WALL SUPPORT

- Contents include sturdy 1/4" white PVC (polyvinylchloride) wall support, 1/4" x 4" screws (Qty 4) and anchors (Qty 4). Before attaching wall support, you will need a common screwdriver, drill and 1/16" drill bit.
  - Enclosed mounting hardware works with most masonry and dry wall surfaces. Consult your facilities manager before installing.
1. Position wall support at height on wall appropriate for easy access.
  2. Using four predrilled holes on back of wall support, mark location on wall where holes should be drilled. Drill four 1/16" holes.
  3. Insert screws through predrilled holes on support. Thread screws into anchors with spring side toward screw head.



4. Reposition support on wall and insert screws with attached anchors into holes in wall.
5. Tighten screws until support is firmly and securely fastened against wall.
6. Test support before using by applying slight downward pressure.

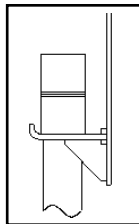
## USING WALL SUPPORT

- Wall support is designed to store and disinfect ultrasound transducers only and should be used with Disinfection and Storage Containers of the TEE Probe Disinfection and Storage System.
- Wall support has two 2" x 2 1/4" (5.08 x 5.72cm) openings in the center to hold storage and disinfection containers. Two .80" x 2.62" (2.03 x 6.66cm) openings at either end of wall support securely hold transducer connectors in place.

## INSTALLING DISINFECTION AND STORAGE CONTAINERS

### WARNING

- To prevent cross-contamination of transducers, only store clean, disinfected transducers in storage container or ensure holder is cleaned after each use.
1. With collar of container up, place in one of two center openings in wall support.
  2. Pull container forward until it rests against front face of wall support.
  3. For disinfection container, place supplied cap on top of container.



# Wall Support, Storage Container and Disinfection Container

## USING DISINFECTION CONTAINER

### WARNING

- Disinfection container is designed to disinfect ultrasound transducers only and should be used with Wall Support of the TEE Probe Disinfection and Storage System.
- Container has been tested for material compatibility for use with Cidex<sup>®</sup>, MetriCide 28<sup>®</sup> and Omnicide cold chemical disinfectants/sterilants. MetriCide 28 and Omnicide have not been tested for efficacy. Follow manufacturer's instructions for use.
- Do not use Cidex 7<sup>®</sup>, Cidex Plus<sup>®</sup> or other noncompatible disinfectants. Prolonged exposure to disinfectants may cause transducer damage. Refer to your transducer manufacturer's instructions for recommended disinfectant and maximum exposure time.
- If leaking develops, discontinue use and notify CIVCO immediately.

1. Remove cap and store on shelf of Wall Support.
2. Using supplied funnel, pour disinfectant into container until it reaches 'fill' line. Capacity is 1.4 liters or 1.5 quarts.
3. Guide flexible shaft of transducer into container.
4. Rest control handle in opening of container.
5. Cable should be looped in front of container with transducer connector(s) resting in openings to the right or left. (See Figure 1.)
6. After disinfection, remove transducer and place cap on top of container. Cap reduces unpleasant fumes and the chance of coming in contact with disinfectant.

## USING STORAGE CONTAINER

- Storage container is designed to store ultrasound transducers only and should be used with Wall Support of the TEE Probe Disinfection and Storage System.
- Proper storage of your transducer prevents excessive coiling of flexible shaft and articulating section and prevents transducer shaft or transducer cable from becoming pinched or otherwise damaged. The articulating section should be kept straight and control knobs kept in 'free wheeling' or 'nonratcheting' mode (if applicable).

1. Guide flexible shaft of transducer into container.
2. Rest control handle in opening of container.
3. Cable should be looped in front of container with transducer connector(s) resting in openings to the right or left. (See Figure 1.)

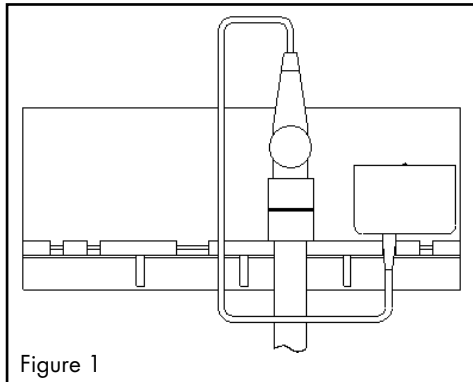


Figure 1

## CLEANING

- Wash wall support, disinfection container and storage container with water and mild detergent. Disinfection container should be cleaned every time disinfectant is changed. A cloth or soft bristle brush is recommended to minimize surface scratches.



---

**Corporate Headquarters:** 102 First Street South, Kalona, IA 52247-9589 USA  
319.656.4447, 800.445.6741 | fax: 319.656.4451, 877.329.2482

[www.civco.com](http://www.civco.com)

COPYRIGHT © 2009 ALL RIGHTS RESERVED. CIVCO IS A REGISTERED TRADEMARK OF CIVCO MEDICAL SOLUTIONS. ALL OTHER TRADEMARKS ARE PROPERTY OF THEIR RESPECTIVE OWNERS. PRINTED IN USA. ALL PRODUCTS MAY NOT BE LICENSED IN ACCORDANCE WITH CANADIAN LAW.

043-562B